

J2

Model **J2** - I40 Electric Actuator



Doc: J2-I40/01/KW
Aug 2010

J2 – I40 IP65 Electric Actuator

The maintenance free **J2** electric actuator is very user friendly. It offers more standard features than any rivals in its class, and was first to the market with both multi-voltage capability with automatic voltage sensing, and an electronic torque limiter with auto-gearbox relaxing which frees the manual override when a valve is jammed. The manual override facility, with a safety power cut-out switch when operated, allows safe hand operation .

Time saving external DIN plugs allow installations to be pre-wired and eliminates the need to remove the cover to connect the actuator, which helps to reduce installation costs.

With a soft start system eliminating high motor start loads and a thermostatic anti-condensation heater that does not require a separate connection, the **J2** range of electric valve actuators offer low power consumption.

The IP65 weatherproof plastic housing with stainless steel cover screws offers high corrosion resistance.

Local visual position indication and remote volt free end of travel confirmation are provided as standard.

The **J2** electric actuator is quick and easy to install:

- ISO:5211 multi-flange F07 or F10 mounting with a 22mm female double square (star) drive.
- Factory set open and closed positions at 0 and 90° (or as specified on your order).
- External electrical connections and external wiring diagram- no need to remove the cover to connect.



Always read the supplied installation & operating instructions before use.

J2 - Model I40 Factory fitted options

Battery 'Spring Return' (BSR)

Power open, power to close, fails safe on power failure. Uses an industrial rechargeable battery-back up system. Can be used as energize open, fail close, subject to minimum energize open time.

See individual datasheet for more information.

Digital Positioning System (DPS)

Internally factory fitted Digital Positioning System (DPS) provides accurate modulating function with either 0-10VDC or

4-20mA control signal.

Output signal provided.

See individual datasheet for more information.

Mounting Kit Options

ISO:5211 multi-flange mounting offers F07 & F10 fixings with a 22mm double square female (star) drive.

A full range of stainless steel mounting kits are available, typically for non-direct mount valves or for elevated temperature applications.

Main Features: **J2** Electric actuators

Multi-voltage capable with auto-voltage sensing:

J2-LI40 12-48V AC/DC
J2-HI40 80-240V AC/DC

Torque output:

170Nm Break

140Nm Reseat

Electronic torque limiter ~ protects against valve jams

Anti-condensation heater

Manual override

All connections via external DIN plugs ~ no need to remove the cover to connect

Volt free end of travel confirmation switches

IP65 weatherproof housing

CE marked

Traceable sequential serial numbering system

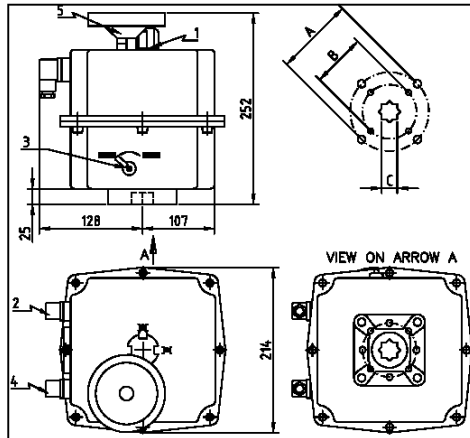
Optional failsafe with Battery Back-up - actuator fails to safe position on mains power failure

Optional modulating with digital positioning system, either 0-10V or 4-20mA control with output signal

Specifications: J2 – I40 Electric actuator (on/off)

Models	J2 -HI40 80-240V AC (1ph) or DC J2 -LI40 12-48V AC (1ph) or DC
Housing	IP65 Anti-corrosive Polyamide
Duty Rating	75%
Mounting	ISO5211 & DIN3337
Electrical Connection	External via DIN plugs
Torque Output	170Nm Break, 140Nm Run & re-seat
Temp Range	-20°C to +70°C
Working Time	31 Secs ± 10%, no load
Current 220VAC/ 110VAC	230 mA 20.9W / 700 mA 19.8W
Current 24VAC/ 24VDC	3600 mA 86.4W / 3000 mA 72.0W
Weight	5.1kg

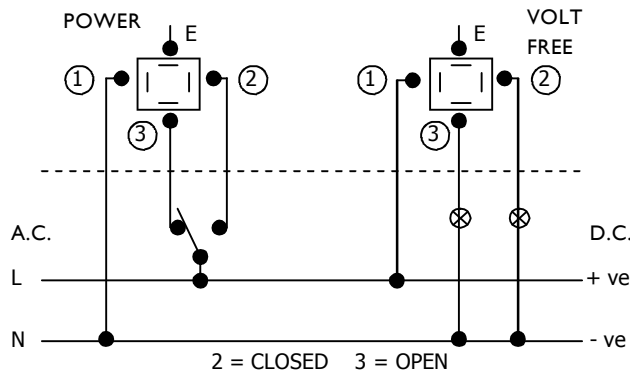
Dimensions:



On/off, stays put on power failure:

- A: ISO:5211 F10
- B: ISO:5211 F07
- C: 22mm double square (star)
- 1 Local visual position indicator
- 2 Power supply DIN plug
- 3 Manual override selector lever
- 4 Volt free limit switch DIN plug
- 5 Manual override hand wheel

Wiring:



Wiring Diagram (AC or DC): 3 wire

Notes:
DIN plugs supplied with actuator
Change-over switch not supplied