



# Model **J2** -10



Doc: J2-10/01

Nov 2009

## Feature rich **J+J** plastic multi-voltage actuator .

Introduced in late 2009, the **J2-10** is the first all externally plastic construction electric actuator from **J+J**.

The **J2-10** is quick and easy to install, with ISO:5211 multi-flange mounting and a double square drive, allowing fast mounting to ISO:5211 valves.

There is no need to remove the cover to connect the **J2-10** electrically, saving installation time.

Using the external DIN plugs and external wiring diagrams supplied with the actuator, installations can be pre-wired.

Protection against valve jams is provided by an electronic torque limiter, which auto-relaxes the gearbox when activated, allowing the manual override to be selected to assist in clearing the jam.

The effect of condensation is eliminated by an internal thermostatic anti-condensation heater that does not require a separate independent power supply.

The **J2-10**'s function is power open, power close, stays put on power failure.

### Method of operation:

On receipt of a continuous power signal within the voltage range shown above, the motor runs and, via a flat gear system, rotates the output shaft. The motor is stopped by internal cams striking micro switches. On receipt of a reversing continuous signal, the motor turns in the opposite direction reversing the output drive.

#### Notes:

The power signal needs to remain on at all times to activate the thermostatic anti-condensation heater.

The volt free end of travel confirmation switches must not be used to cut the power.



The **J2-10** is another smart red box!



### Quick guide to the **J2**'s standard features :

*Multi-voltage with auto-voltage sensing.*

**J2-H10** 110 - 240V AC or DC

**J2-L10** 24V AC or DC

*Electronic over-torque protection against valve jams*

*Thermostatic anti-condensation heater*

*Manual override for emergency hand operation*

*2 Volt free end of travel confirmation switches*

*IP65 weatherproof anti-corrosive and UV protected Polyamide housing*

*Local visual position indicator*

*ISO5211 multi-flange mounting with double square drive*

*All external electrical connections via supplied DIN plugs*

*CE marked*

*ISO 9000 EU manufacturer*

*Ideal for plastic and small bore low torque metal ball valves !*

The all new **J2** - 10

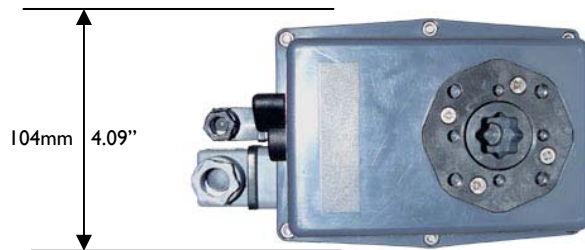
## Specifications: **J2** -10

|  |   |
|--|---|
| Voltage range - automatically sensed by actuator               | <b>J2</b> -H10 110-240V AC (1ph) or DC<br><b>J2</b> -L10 24V AC (1ph) or DC |
| Operating time (0-90° no load) <b>J2</b> -H10 & <b>J2</b> -L10 | 17 seconds  |
| Maximum break torque   | 12 Nm 106 in.lbs  |
| Maximum operating torque (run/ reseat)                         | 10 Nm 88 in.lbs   |
| Duty rating  | 75%   |
| IP Rating (IEC 60529)  | IP65  |
| Working angle Standard (on request)                            | 90° (180° or 270° options)  |
| Mounting ISO:5211 x DIN 3337                                   | F03 & F05 x I4  |
| Motor switches   | 2 x SPDT micro switches   |
| End of travel confirmation (volt free)                         | 2 x SPDT micro switches   |
| Heater   | 4 W   |
| Ambient temperature range                                      | -20° to +70°C / -4 to +158°F  |
| Electrical connecting plugs                                    | DIN 43650/ ISO4400 & C192   |
| Consumption:   |   |
| 110/ 220V AC/1ph or DC   | Max 0.27 A  |
| 24V AC (1ph) or DC   | Max 0.39 A  |
| Weight   | 0.9 kg  |

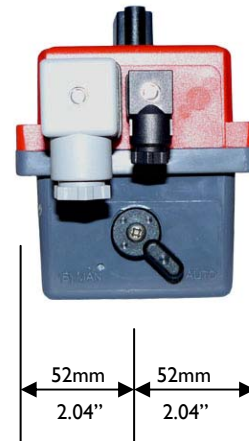
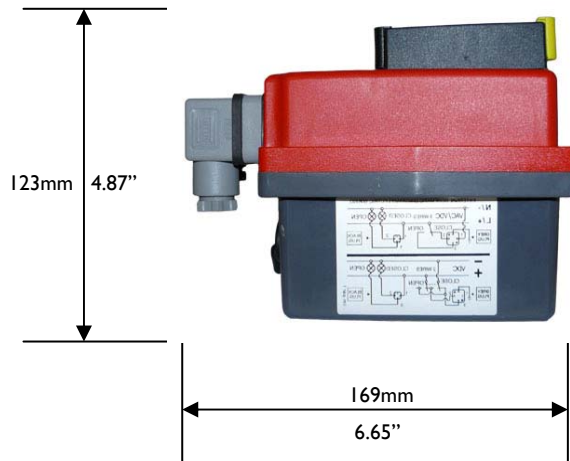
## Materials of construction:

|                    |                          |
|--------------------|--------------------------|
| Housing            | Anti-corrosive Polyamide |
| Fasteners          | Stainless steel          |
| Gears              | Polyamide                |
| Shaft (Internal)   | Stainless steel          |
| Output drive       | Polyamide                |
| Position indicator | Glass filled Polyamide   |

Dimensions: **J2** - 10



|                       |                          |      |
|-----------------------|--------------------------|------|
| Mounting<br>ISO: 5211 | F03                      | F05  |
|                       | 36mm                     | 50mm |
| Drive                 | 14mm<br>(9 or 11 option) |      |



Wiring: **J2** - 10

